

# General Product Safety Regulation

VelowUp!®



## Index

<b>General Product Safety Regulation (GPSR) Document .....</b>	<b>2</b>
<b>1. Introduction.....</b>	<b>2</b>
<b>2. Product description .....</b>	<b>2</b>
<b>3. Risk assessment.....</b>	<b>3</b>
<b>3.1 Risk identification .....</b>	<b>3</b>
<b>3.2 Risk analysis .....</b>	<b>3</b>
<b>3.3 Risk management .....</b>	<b>3</b>
<b>4. Compliance with regulations and standards .....</b>	<b>4</b>
<b>5. Instructions for use and warnings .....</b>	<b>4</b>
<b>5.1 Installation .....</b>	<b>4</b>
<b>5.2 Use .....</b>	<b>4</b>
<b>5.3 Warnings .....</b>	<b>4</b>
<b>6. Declaration of Conformity .....</b>	<b>4</b>
<b>7. Appendices.....</b>	<b>5</b>
<b>Appendix 1.....</b>	<b>5</b>
<b>Appendix 2.....</b>	<b>6</b>

### **Mobiliteitsoplossingen - Mobility Solutions - Mobilitätslösungen - Solutions de Mobilité**

# General Product Safety Regulation (GPSR) Document

**Product Name:** VelowUp!®

**Origin:** The Netherlands

**Manufacturer:** Lo Minck Mobility BV, Lisserbroek, The Netherlands

**Version:** V3.0

## 1. Introduction

This document has been prepared in accordance with the General Product Safety Regulation (EU) 2023/988 and demonstrates that the **VelowUp!**® product complies with safety requirements when used as intended..

## 2. Product description

**Product Name:** VelowUp!® (various versions: single-sided, double-sided, diagonal, single)

**Type:** Vertical bicycle parking system

**Target Group:** General consumers, businesses, municipalities, and public sector

**Purpose:** Space-saving vertical bicycle storage

**Material:**

- **Mounting bracket and lift arm:** electric galvanized steel
- **Casing:** Steel + powder coating (RAL9005)

**Features:**

- Suitable for bicycles with a tire width up to 65 mm
- Ergonomic design for easy use
- Durable and robust material
- Modular design for easy installation

### 3. Risk assessment

#### 3.1 Risk identification

The following risks have been identified for the VelowUp!®:

Risk	Description	Measure
<b>Mechanical risk</b>	Pinching or trapping during locking	Smooth design with rounded edges
<b>Instability</b>	Bicycle falling due to improper use	Stable anchoring and clear instructions
<b>Misuse</b>	Children using the system incorrectly	Warning labels and instructions
<b>Wear and tear</b>	Reduced functionality due to wear	High-quality materials and spare parts availability

#### 3.2 Risk analysis

The risks have been assessed based on severity and likelihood. When installed and used according to instructions, all identified risks are minimal.

#### 3.3 Risk management

Measures have been taken to eliminate or minimize risks:

- Use of a robust and durable design.
- Smooth and rounded design to prevent sharp edges.
- Clear instructions and warnings for safe use.
- Mechanically tested locking system for safety and stability.

## 4. Compliance with regulations and standards

The VelowUp!® product complies with the following relevant guidelines and standards:

- **EU 2023/988:** General Product Safety Regulation (GPSR)
- **CE Marking** (available on a per-project basis)

## 5. Instructions for use and warnings

### 5.1 Installation

- Ensure a flat and stable surface for anchoring.
- Follow the installation manual for correct assembly.

### 5.2 Use

- Refer to Appendix 2.
- Not suitable for bicycles with damaged or unstable frames.

### 5.3 Warnings

- Do not use if the system shows visible damage.
- Not to be used by children without supervision.
- Avoid overloading: check the maximum load capacity. Maximum load: **35 kg**.

## 6. Declaration of Conformity

### Manufacturer:

Lo Minck Mobility BV  
Gansoord 80,  
2165 BD Lissersbroek, Nederland

Lo Minck Mobility BV hereby declares that the **VelowUp!**® product complies with the requirements of the General Product Safety Regulation (EU) 2023/988 and all applicable standards.

Signature: \_\_\_\_\_



Name: Arjan Minck

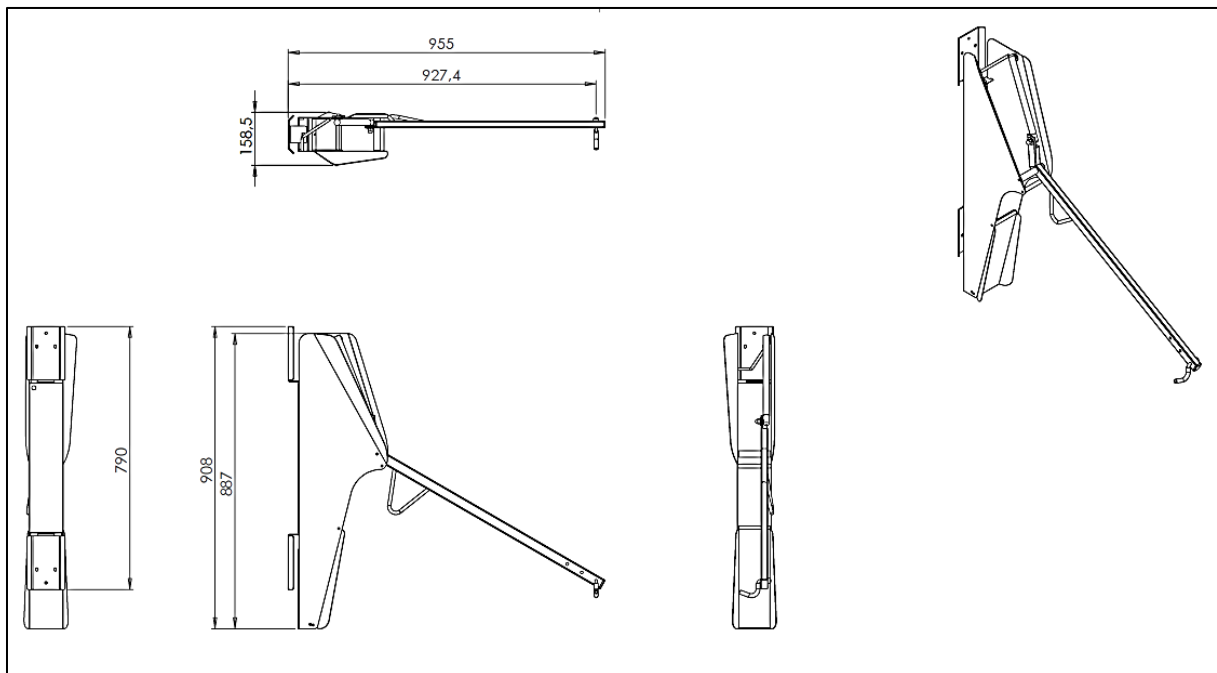
Date: 03-02-2025

## 7. Appendices

1. Technical drawings
2. User instructions
3. Installation manual (available upon request)

### Appendix 1

Technical drawing




### Mobiliteitsoplossingen - Mobility Solutions - Mobilitätslösungen - Solutions de Mobilité

Gansoord 80 | 2165 BD Lisserbroek (NL) | T: +31-(0)252-420384 | [www.lo-minck.nl](http://www.lo-minck.nl) | [info@lo-minck.nl](mailto:info@lo-minck.nl)  
KvK: 77815092 | BTW: NL861156687B01 | BIC: RABONL2U | IBAN: NL95RABO 0328101524 | SC: 990260 | EORI: 861156687  
*Op al onze offertes, op alle opdrachten aan ons en op alle met ons gesloten overeenkomsten zijn de Metaalunie-voorwaarden van toepassing, gedeponeerd ter Griffie van de Rechtbank te Rotterdam, volgens de laatste aldaar neergelegde tekst. Deze leveringsvoorwaarden worden u op verzoek toegezonden.*

## Appendix 2

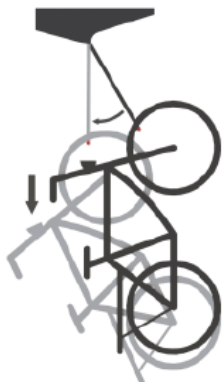

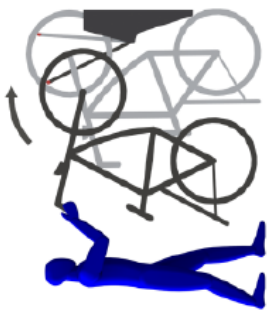
### User instruction



**VelowUp!**  
Smart Bicycle Parking

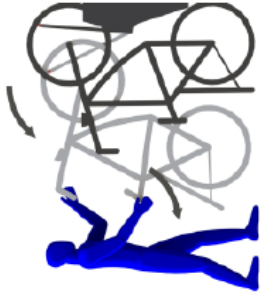
**Storing the bike**

Slide the front wheel onto the hook, do a step behind and then – at the same time - pull the bike backwards until the VelowUp!® is activated and lifts your bike. Guide your bike with the handlebars until the rear wheel falls into the wheel groove and the front wheel falls into the front catch. You can now release your bike.

**Removing the bike**

Grip the bicycle with one hand on the saddle and one hand on the handlebar and then pull the bike towards you. While pulling, keep the front wheel with some pressure at the hook, so that the handlebar moves smoothly downwards. Once the bike is on the ground, move the front wheel off the hook.



VelowUp!® is een geregistreerd product van Lo Minck International BV, Lissersbroek, Holland

### Mobiliteitsoplossingen - Mobility Solutions - Mobilitätslösungen - Solutions de Mobilité

Gansoord 80 | 2165 BD Lissersbroek (NL) | T: +31-(0)252-420384 | [www.lo-minck.nl](http://www.lo-minck.nl) | [info@lo-minck.nl](mailto:info@lo-minck.nl)  
 KvK: 77815092 | BTW: NL861156687B01 | BIC: RABONL2U | IBAN: NL95RABO 0328101524 | SC: 990260 | EORI: 861156687  
 Op al onze offertes, op alle opdrachten aan ons en op alle met ons gesloten overeenkomsten zijn de Metaalunie-voorwaarden van toepassing, gedeponneerd ter Griffie van de Rechtbank te Rotterdam, volgens de laatste aldaar neergelegde tekst. Deze leveringsvoorwaarden worden u op verzoek toegezonden.